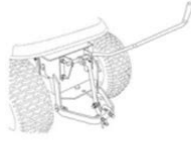


Owner's Manual

CRAFTSMAN

SLEEVE HITCH

Model No. 486.24535



CAUTION:
Before using this product, read this manual and follow all Safety Rules and Operating Instructions.

- Safety
- Assembly
- Operation
- Maintenance
- Parts

Sears, Roebuck and Co., Hoffman Estates, IL 60179 U.S.A.

PRINTED IN USA

Island Enterprises

FORM NO. 486S.HITCH 4/04

File Name: craftsman sleeve hitch manual.pdf

Size: 2699 KB

Type: PDF, ePub, eBook

Category: Book

Uploaded: 18 May 2019, 20:47 PM

Rating: 4.6/5 from 715 votes.

Status: AVAILABLE

Last checked: 14 Minutes ago!

In order to read or download craftsman sleeve hitch manual ebook, you need to create a FREE account.

[**Download Now!**](#)

eBook includes PDF, ePub and Kindle version

[Register a free 1 month Trial Account.](#)

[Download as many books as you like \(Personal use\)](#)

[Cancel the membership at any time if not satisfied.](#)

[Join Over 80000 Happy Readers](#)

Book Descriptions:

We have made it easy for you to find a PDF Ebooks without any digging. And by having access to our ebooks online or by storing it on your computer, you have convenient answers with craftsman sleeve hitch manual . To get started finding craftsman sleeve hitch manual , you are right to find our website which has a comprehensive collection of manuals listed.

Our library is the biggest of these that have literally hundreds of thousands of different products represented.



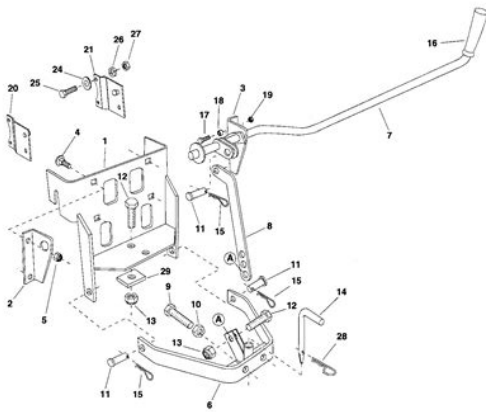
Book Descriptions:

craftsman sleeve hitch manual



This warranty applies only while this product is in the United States. This warranty gives you specific legal rights, and you may also have other rights which vary from state to state. Exercise caution at all times, when using power equipment. Read this owners manual and your vehicle and implement owners manuals before using this hitch. Do not allow children to operate vehicle or sleeve hitch. Do not allow adults to operate the vehicle or sleeve hitch without proper instructions. Do not allow anyone to ride on sleeve hitch. Always place sleeve hitch in lowered position when attaching an implement. Before lowering and operating the implement, be sure no one is near the area of operation. Lower the sleeve hitch and implement when leaving vehicle unattended. Vehicle braking and stability may be affected. Drive slowly when sleeve hitch and implement are in raised position. Stay off of steep slopes. Keep all nuts and bolts tight and be sure the equipment is in safe operating condition. Look for this symbol to point out important safety precautions. You should record both the serial number and the date of purchase and keep in a safe place for future reference. The brackets should angle outward with the weld pins at the top of the brackets facing inward. Screw the bolts into the nuts that are welded to the Sleeve Hitch Lift Assembly. Tighten the jam nuts against the welded nuts. Use the bottom hole in the lifting link gives the lowest implement depth setting. Tighten the nut only until snug. Do not squeeze the welded arms together. See figure 4. NOTE If your tractor hitch has ridges that prevent the sleeve hitch assembly from resting flat, place the spacer plate underneath the sleeve hitch assembly. For tractors with model numbers beginning with 917, proceed to MOUNTING BRACKET ASSEMBLY on page 6. For tractors with model numbers beginning with 247, proceed to SLEEVE HITCH ASSEMBLY on page 7. Our payment security system encrypts your information during transmission. <http://www.charitablewines.org/uploads/ford-6600-tractor-parts-manual.xml>

- **craftsman sleeve hitch manual, sears sleeve hitch manual, craftsman sleeve hitch manual, craftsman sleeve hitch manual, craftsman sleeve hitch manual.**



1/06

We don't share your credit card details with thirdparty sellers, and we don't sell your information to others. If this is a gift, consider shipping to a different address. Please try again. Please try again. In order to navigate out of this carousel please use your heading shortcut key to navigate to the next or previous heading. Register a free business account Full content visible, double tap to read brief content. Please try your search again later. Tires or larger. Once attached, the sleeve hitch lets you place ground engaging attachments to your garden tractor at the proper angle for convenient use. Boasting a simple onetime installation of mounting brackets to the tractor, The sleeve hitch offers supersimple removal for tractor use with other towbehind attachments. COMPATABILITY FITS CRAFTSMAN T200 and T300 Series Riding Mowers Click here to make a request to customer service. To calculate the overall star rating and percentage breakdown by star, we don't use a simple average. Instead, our system considers things like how recent a review is and if the reviewer bought the item on Amazon. It also analyzes reviews to verify trustworthiness. Please try again later. Josh B. 5.0 out of 5 stars But it seems to be holding up well. Ive used it with a plow, a disc, and sort of a wagon. My only complaint. I wish it had a more precise range of motion. When something heavy like a plow is on it, the plow is barely off the ground when lifted with this. You can adjust this. to a point. But the range of motion between positions is so small that its just impossible to get set correctly. Model number 917.257740. This hitch is a "universal" tool that is made to fit many different models of tractors. Since that is the case, there are many variables you need to be cognizant of when installing on your tractor. I will share some details on my own install.

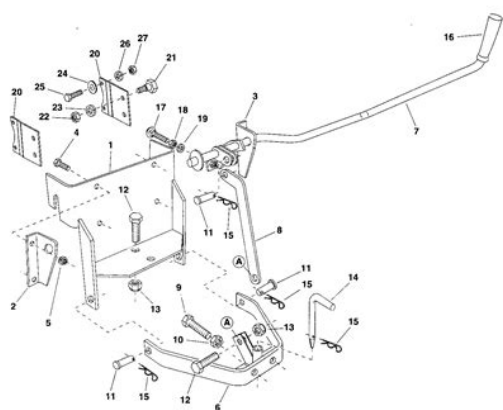
1. <http://hongphuc.vn/userfiles/ford-655d-parts-manual.xml>



The mounting brackets that hold the upper two slots of the hitch frame are mounted to the tractor using bolts that already hold the hitch plate to the tractor frame. Read the instructions carefully. 2. Due to the distance between the tractor hitch point and the welded studs on the mounting brackets, the hitch does not “hang” from the studs as you might initially imagine. This is not a deal breaker as the welded studs are still in the slots on the hitch frame and hold it securely during operation. 3. On the side of the hitch frame there are two sets of holes to receive the bottom part of the lift assembly. I had to use the bottom set of holes to get the lifting arm installed. Using the top two holes created too short a distance to install the lifting arm that pulls up on the bottom piece of the assembly. 4. Once you get everything installed you need to play with the bolt placement in the three holes on the bottom of the lifting arm. This is what will control the transport height as well as the working height of your implement. The manual that comes with this tool is pretty thorough and needs to be reviewed in detail. However, you are also going to have to do some thinking to make sure the hitch is installed to fit your tractor correctly. There are a lot of variables that affect the fit. Performance is overall good. Once everything is installed correctly the arm raises and lowers an implement with relative ease and can be pulled lightly up while in operation to smooth out small bumps etc. Overall, if you own an older Craftsman series tractor I’d recommend purchasing this product, but you do need to understand installation will be unique to your model. With my bottom plow Brinley, the pair made short work of my garden. Did a great job but the true test will be on Friday when I start to plow up a new plot on my farm. So far the hitch works well and is heavy duty. Did not need weight yet. I will also try the hitch on my disc harrow next week.

I had chains on my GT5500 and did not need any additional weight. The manual lift handle is too far back for me to reach to disengage so you will have to use some American ingenuity to rig something up. Nothing wrong with the unit itself. I will be returning it. Was not difficult to assemble and install, seems well built and heavy duty. Now I have to wait for it to be picked up for return and a replacement. Some of my projects with it are now going or be weeks behind! Installed as it was supposed to and took about an hour. Works great with a 4 wide rock rake. Unacceptable quality for a new item. Sorry, we failed to record your vote. Please try again Sorry, we failed to record your vote. Please try again In order to navigate out of this carousel please use your heading shortcut key to navigate to the next or previous heading. To view this site, you must enable JavaScript or upgrade to a JavaScript capable browser. Now you'll always have the right angle for these attachments to work efficiently. When you need the hitch for other equipment, switch it out and you'll be ready to go. California residents See Proposition 65 information WARNING Cancer and Reproductive Harm WARNING WARNING This product contains chemicals known to the State of California to cause cancer and birth defects or other reproductive harm. In addition, there are specific warnings for the

following specific products and product categories Lead Acid Batteries WARNING Battery posts, terminals and related accessories contain lead and lead compounds, chemicals known to the State of California to cause cancer and reproductive harm. Batteries also contain other chemicals known to the State of California to cause cancer. Wash hands after handling. Power Tools and Accessories WARNING Some dust created by power sanding, sawing, grinding, drilling, and other construction activities contains chemicals known to the State of California to cause cancer and birth defects or other reproductive harm.



4/04

Some examples of chemicals are Lead from leadbased paints Wood dust Crystalline silica from bricks and cement and other masonry products Arsenic and chromium from chemically treated lumber You can reduce your exposure to these chemicals by working in a wellventilated area and using approved safety equipment, such as dust masks that filter out microscopic particles. Ceramicware, Glassware, Cookware with Brass Components Lead levels in ceramicware comply with FDA standards. WARNING Use or handling of this product may expose you to lead, a chemical known to the State of California to cause birth defects or other reproductive harm. Wash hands after handling. California requires the following separate notice on the product packaging Ceramic Tableware WARNING Use of certain tableware will expose you to lead, a chemical known to the State of California to cause birth defects or other reproductive harm. Lead Crystal Glassware Lead levels in the crystal glassware for food use comply with FDA standards; however, California requires the following separate notice WARNING Consuming foods or beverages that have been kept or served in leaded crystal products or handling products made of leaded crystal will expose you to lead, a chemical known to the State of California to cause birth defects or other reproductive harm. Beauty and Skin Care Products WARNING This product contains progesterone, a chemical known to the State of California to cause cancer. Consult with your physician before using this product. Fashion Accessories WARNING This product contains lead, a chemical known to the State of California to cause birth defects or other reproductive harm. Do not allow children to put in mouth or chew. Canned Foods, Bottled Foods and Beverages WARNING Many cans containing foods and beverages sold here have epoxy linings used to avoid microbial contamination and extend shelf life.

Lids on jars and caps on bottles may also have epoxy linings.

<http://jms-stavebni.com/images/command-alkon-manuals.pdf>



Some of these linings can leach small amounts of bisphenol A BPA into the food or beverage. BPA is known to the State of California to cause harm to the female reproductive system. Please wash hands thoroughly after handling this product. Gardening Hoses WARNING This hose contains chemicals, including lead, known to the State of California to cause cancer and birth defects and other reproductive harm. Do not drink water out of this hose and wash hands after handling. PVCcoated Products; PVCcoated Wires and Cables WARNING This product contains lead, a chemical known to the State of California to cause birth defects or other reproductive harm. Wash hands after handling. Safeguard your new purchase with the best repair and replacement coverage in the business. A Sears Protection Agreement picks up where the limited manufacturers warranty leaves off. Enjoy the peace of mind that comes from having a plan that delivers what it promises. Learn More Choose your protection agreement No thanks, Ill go without coverage Product Documentation Manual Owners Manual English Warranty Product Warranty English Reviews Follow the Leader Get your next lawncare project done without hassle with the help of this Craftsman tractor sleeve hitch. Designed to fit select Craftsman garden tractors, this easytoinstall attachment lets you conveniently connect groundengaging accessories like a rear blade, tine cultivator and more. Now youll always have the right angle for these attachments to work efficiently. Not valid with discounts or coupons. Accessories Do you want us to hook up your item. Yes No Continue Close Need Help. This is a lease transaction. Must be at least 18 years old. Valid photo ID required. Income requirements apply. Excludes nondurable goods. Minimum 5month lease agreement. Lease requires consumer to make first payment at lease signing, plus 19 weekly offered online only, 9 biweekly, or 4 monthly lease payments. Close this window Please fill in all fields.

<http://experience-hr.com/images/comlite-lcs-4000-manual.pdf>



We love to hear from our customers. We appreciate your thoughts about how our website is working for you. Your input and opinion will enable us to constantly improve. Thanks for your help. What brings you to visit us today. Select one Find products and compare prices Make a purchase Find a local store Get customer support Check on an order Edit account information Website enhancements other How was your overall experience with www.searshometownstores.com 5Excellent 4Good 3Ok 2Poor 1Very Poor 5 4 3 2 1 Your Name Email Address Please leave your comments and help us improve. If this is related to a specific issue, provide any available details item number, order number, etc. to help us resolve the matter faster. You can also contact customer service directly. Cancel Submit Submit Your Feedback Thanks, for your feedback. Close this window Please fill in all fields. Subject Feedback Cancel Submit. Will this hitch fit my garden tractor. The sleeve hitch for garden tractors is backed by a Craftsman 1year limited warranty to protect your investment. The sleeve User Manual; Pdf Product Data Owners Manual. The front bumper is an optional attachment for lawn tractors. It offers additional frontend. Uses the tractor hydraulics to lift certain rear-mounted sleeve hitch implements. Hey all I made a cheap manual sleeve hitch and loved it, So I decided to make one lifted by a linear actuator and man do I love it so here are Guide to us cities, Activity analysis form 3, Michigan contractor sworn statement, Where is the thesis statement, Coltolux operation manual. Reload to refresh your session. Reload to refresh your session. Send a Houzz Gift Card. After taking a close look at a Craftsman model, I felt I could get it to work on my tractor with a few simple mods. Here are the results. Ill try once more Sleeve hitches are for garden tractors, with Simplicity it would be the Prestige. It looks like youve done a excellent job. I would say you wont have any problems with your setup.

Now its time to go Electric. What tranny do you have in that MF Im ordering the electric lift kit Friday. Still havent installed the hitch because Im a little worried about putting too much strain on my hydro. I have the K62. Wheel weights and tire chains recommended. Heavy duty frame accepts a concrete block or other weight to provide down pressure. Compared to a Sears or Husqvarna, the Conquest has a heavier frame, larger transmission and weighs over 1 hundred pounds more than the Sears or Husq. The Prestige is their medium duty garden tractor and Legacy XL their heavy duty model. I do know on the Simplicity website they show a 3 point hitch for the Legacy, One Pointsleeve hitch for the Prestige and nothing for the Conquest. Im sure its heavy duty enough to handle it, just

that the rearend is not designed to accept it, Without any Modification anyways. Simplicity site says the Conquest will take rear tiller, how does it get power. Do you think it has its own motor It is just not advertized dont know why by Simplicity. I guess Simplicity would rather sell you a Prestige for ground work. You attach it to the belly PTO with belts to power it. That looks like ot will really work out. That looks like ot will really work out. Copy and Paste the tag command instead of the url command. Great Job on the Modification. Is it safe to Modify it. I heard I could rip out my Trans.Im only going to use it to scrape the ground and rake rocks. I have a John Deere L100, auto, with 17HP Kohler. I purchased a Crafstman pull behind rototiller for it and have been very satisfied. I would like to get a rock rake or blade but am having trouble finding either. Anyone have a clue The can also be used as a ripper. Anyone have experience with these Area is fairly compacted. My plan is to do multiple rips with the ripper first, then put on the furrower and do repeated passes until I have a narrow but hopefully fairly deep trench.

<https://www.icodar.com/wp-content/plugins/formcraft/file-upload/server/content/files/162878d64041ba---Calculadora-hp-39g-manual.pdf>

Ill have to clean out the loose dirt by hand, but I think it should be a lot easier than digging the whole thing by hand. Is that a Craftsman and if so and problems attaching it. I have a lgt2654 and I am wanting to do the same thing. Someone above said it should work but no for sures. Any insights would be appreciated. If a sleeve hitch will work with this Poulan Husqvarna, AgriFab makes 2 different types the 4503021 and the 450416 and Fast Attach makes one as well. Any thoughts about which one Other than the carriage bolts mine has held up well. You can take the sod strips and put them elsewhere. I still need to rebury the wires I pulled up last year. I will take the furrower off and try the ripper option for that. The 5a is my climate zone and I live in IL. No other Manuals with the Exact Same Model Number and Manufacture. Mower Garden Tractor Man. Mower Garden Tractor Manual. Mower Garden Tractor Manual. Mower Lawn Tractor. Mower Lawn Tractor. Mower Garden Tractor Man. Several functions may not work. Please reenable javascript to access full functionality. Hope it helps. PS I may have some parts for that one. Thanks Kenny.I now thinking I should just put on the one that is recommended for the tractor and just be done with it.Its for their Dads tractor. It ties into the deck lift, right. If so, I will try to get ahold of the manual or see if they can scan and upload. I hope they still have it.Thanks for the manual.Thanks for the manual. This is exactly what I was looking for.If the other manual ever surfaces, Ill put it in the manuals. Screw the bolts into the nuts that are welded to the Sleeve Hitch Lift Assembly. Snug the jam nuts against the welded nuts. Tighten the stabilizer bolts against the implement hitch and then tighten the jam nuts. It may not display this or other websites correctly. You should upgrade or use an alternative browser.

Especially when it comes to issues and repairs its important to include as many images as possible to help our members diagnose your issue. To upload images, use the Upload a File button found towards the bottom right of the post response box or a new thread. All the parts except the sleeve hitch frame are exactly the same part numbers. The picture of the frame looks very similiar but doesnt give any size dimensions. 20100922 I received my new sleeve hitch yesterday. So, considering that all the other listings I found were for I guess it passed, at least he didnt mark it;lmaoThats kinda crazy to me that basically the same part would cost so much more. Enjoy your hitch.I took the linear actuator off my parts 90s GT6000 for its deck so im using it on the hitch when i get around to building it.Unlock additional features, and fewer ads while browsing. Consider upgrading your membership. Please upgrade your browser or activate Google Chrome Frame to improve your experience. By using this site, you agree to our use of cookies.We will get back to you as soon as possible. If you indicate that you want to receive our newsletter, we will also use your personal data to send you such newsletters. We will always use your personal data in accordance with our Privacy Notice You will find more information about how we process your data, who we may share it with, what rights you have and further contact details to us in the Privacy Notice. You can

withdraw your consent to our newsletter at any time by clicking the unsubscribe button in any communication you receive from us or by contacting us as set out in the Privacy Notice. Privacy is Required There is a onetime mounting bracket installation. More documents can be found under Come on join in! Illustrations and product images are as accurate as known at the time of publishing. Husqvarna reserves the right to change product specifications or images with or without prior notification. View cart for details.

Learn more opens in a new window or tab This amount is subject to change until you make payment. For additional information, see the Global Shipping Program terms and conditions opens in a new window or tab This amount is subject to change until you make payment. If you reside in an EU member state besides UK, import VAT on this purchase is not recoverable. For additional information, see the Global Shipping Program terms and conditions opens in a new window or tab Learn More opens in a new window or tab Learn More opens in a new window or tab Learn More opens in a new window or tab Learn More opens in a new window or tab Learn More opens in a new window or tab See the seller's Contact the seller opens in a new window or tab and request a shipping method to your location. Please enter a valid postal code. Please enter a number less than or equal to 1. Please pay for all items within 4 days of winning bid. All items sold as is. All items will be shipped out in a timely manner with the best of care. Thank you for selecting this auction. and Happy Bidding. Please feel free to email me of any questions you might have. All Rights Reserved. User Agreement, Privacy, Cookies and AdChoice Norton Secured powered by Verisign. The sleeve hitch for garden tractors is backed by a Craftsman 1year limited warranty to protect your investment. The sleeve User Manual; Pdf Product Data The sleeve hitch for garden tractors is backed by a Craftsman 1year limited. Will this hitch fit my garden tractor. A Pg six 6 of the The front bumper is an optional attachment for lawn tractors. It offers additional frontend. Uses the tractor hydraulics to lift certain rearmounted sleeve hitch implements.