

STR-DA30ES/DA50ES/V55ES

SERVICE MANUAL

Ver 1.1 2001.06



Photo: STR-DA30ES

US Model
Canadian Model
STR-DA30ES/DA50ES
AEP Model
UK Model
E Model
Australian Model
PX Model
STR-V55ES
Chinese Model
STR-V55ES

Manufactured under license from Dolby Laboratories Licensing Corporation.
DOLBY, the double-D symbol (D), AC-3, the Dolby Digital and "PRO LOGIC" are trademarks of Dolby Laboratories Licensing Corporation.

SPECIFICATIONS

AUDIO POWER SPECIFICATIONS
POWER OUTPUT AND FREQUENCY RESPONSE:
With 8 ohm loads, both channels driven, from 20 - 20,000 Hz, with 10% THD (DA30ES) per channel maximum. 30W per channel, with an average (DA50ES and V55ES) of 20W per channel, with an average (DA30ES and V55ES) of 20W per channel (USA model only).

Amplifier section
POWER OUTPUT
Stereo mode (4 ohm 20 Hz - 20 kHz, THD 0.05%)
120 W + 120 W (DA30ES/V55ES)
90 W + 90 W (DA50ES)
(4 ohm 20 Hz - 20 kHz, THD 0.05%)
100 W + 100 W (DA30ES/V55ES)
70 W + 70 W (DA50ES)

Surround mode (4 ohm at 1 kHz, THD 0.05%)
Front 120 W + 120 W (DA30ES/V55ES)
90 W + 90 W (DA50ES)
Center* 120 W (DA30ES/V55ES)
90 W (DA50ES)
80 W + 80 W (DA50ES)
(4 ohm at 1 kHz, THD 0.05%)
Front 100 W + 100 W (DA30ES/V55ES)
70 W + 70 W (DA50ES)
Center* 100 W (DA30ES/V55ES)
70 W (DA50ES)
Rear* 120 W + 120 W (DA30ES/V55ES)
90 W + 90 W (DA50ES)

* Depending on the sound field settings and the source, there may be no sound output.

Frequency response
FM/AM: 80 Hz - 18 kHz (reference level 0.5 dB)
CD, TAPE, MP3/USB, DVD/VIDEO, TV/VIDEO, VIDEO 1, 2, and VIDEO 3
10 Hz - 50 kHz ±0.5 dB (with small field, bass, and bass boost bypassed)

Inputs (Analog) PHONO
Sensitivity: 1.5 mV
Impedance: 50 kΩ
S/N: 70 dB (A, 15 μV)
CD, DVD, DSD, DSD/TAPE, MP3/USB, TV/VIDEO, VIDEO 1, 2, and VIDEO 3
Sensitivity: 100 mV
Impedance: 50 kΩ
S/N: 82 dB (A, 150 μV)

Inputs (Digital) DVI-D, DVI-D (serial), HDMI, SPDIF, I2S, and VIDEO 1, 2, and VIDEO 3
Sensitivity: 100 mV p-p
Impedance: 75 Ω
S/N: 100 dB (A, 30 μV LFE)
CD, DVD, DSD, DSD/TAPE, TV/VIDEO, MP3/USB, I2S, and VIDEO 1, 2, and VIDEO 3
S/N: 100 dB (A, 30 μV LFE)

— Continued on next page —

FM STEREO FM-AM RECORDER

9-922-846-12 Sony Corporation
DRE1P1930-1 Home Audio Company
©2001.6 Singapore Test Service Manual Production Group

SONY

File Name: Da50Es Sony Manual.pdf

Size: 4136 KB

Type: PDF, ePub, eBook

Category: Book

Uploaded: 1 May 2019, 23:17 PM

Rating: 4.6/5 from 797 votes.

Status: AVAILABLE

Last checked: 8 Minutes ago!

In order to read or download Da50Es Sony Manual ebook, you need to create a FREE account.

Download Now!

eBook includes PDF, ePub and Kindle version

[Register a free 1 month Trial Account.](#)

[Download as many books as you like \(Personal use\)](#)

[Cancel the membership at any time if not satisfied.](#)

[Join Over 80000 Happy Readers](#)

Book Descriptions:

We have made it easy for you to find a PDF Ebooks without any digging. And by having access to our ebooks online or by storing it on your computer, you have convenient answers with Da50Es Sony Manual . To get started finding Da50Es Sony Manual , you are right to find our website which has a comprehensive collection of manuals listed.

Our library is the biggest of these that have literally hundreds of thousands of different products represented.



Book Descriptions:

Da50Es Sony Manual

STR-DA30ES/DA50ES/V55ES

SERVICE MANUAL



Photo: STR-DA30ES

US Model
Canadian Model
STR-DA30ES/DA50ES
AEP Model
UK Model
E Model
Australian Model
PX Model
STR-DA30ES
Chinese Model
STR-V55ES

Manufactured under license from Dolby Laboratories Licensing Corporation.
DOLBY, the double-D symbol II , AC-3, the Dolby Digital and "PRO LOGIC" are trademarks of Dolby Laboratories Licensing Corporation.

SPECIFICATIONS

AUDIO POWER SPECIFICATIONS
FOR USE OF TVT & SDDS (SDDS) IN BASIC INSTRUCTIONS.
With 8-ohm load, both channels driven, from 20% to 100%
THD (10% load: 80 watts, DA50ES) and canal extension RMS
power with no load, Blue (50% load) harmonic distortion from 250
kHz to 20 kHz to total output (1.5A model only).

Amplifier section
POWER OUTPUT
Music mode (1 kHz, 20% THD (0.05%))
120W + 120W (DA50ES/V55ES)
100W + 100W (DA30ES)
(1 kHz, 20% THD (0.05%))
100W + 100W (DA50ES/V55ES)
70W + 70W (DA30ES)

Surround mode (1 kHz, THD (0.05%))
Front: 120W + 120W (DA50ES/V55ES)
80W + 80W (DA30ES)
Center: 120W (DA50ES/V55ES)
80W (DA30ES)
Rear: 120W + 120W (DA50ES/V55ES)
80W + 80W (DA30ES)
(1 kHz at 100%, THD (0.05%))
Front: 100W + 100W (DA50ES/V55ES)
70W + 70W (DA30ES)
Center: 100W (DA50ES/V55ES)
70W (DA30ES)
Rear: 100W + 100W (DA50ES/V55ES)
70W + 70W (DA30ES)

† Depending on the sound field setting and the source, there may be no sound output.

Frequency response: FM/AM, STEREO, R14A
equalization curve: 105 dB
CD, TPE, MIDDLE, DITHER, DSD, TVFRMS, TVFRS,
VIDEO 1, 2, and VIDEO 3,
DNR: 50 dB, 40.5 dB (in sound field, tone,
and face booster type-off)
Input: (Analog) PHONO
Sensitivity: 2.5 mV
Impedance: 50 k Ω (min)
S/N: 75 dB (A, 12% THD)
CD, FM/ED, DTS/STAFF, MP3/ST, TV
DNR, TVFRS, 1, 2, and VIDEO 1, 2,
and VIDEO 3
Sensitivity: 150 mV
Impedance: 50 k Ω (min)
S/N: 72 dB (A, 12% THD)
Input: (Digital) DTS/D, DTS (optional)
Sensitivity: 0.5 Vpp
Impedance: 75 Ω (min)
S/N: 100 dB (A, 20% THD, 1.5F)
CD, FM/ED, DTS, TVFRMS,
TVFRS, MIDDLE (optional)
S/N: 100 dB (A, 20% THD, 1.5F)

— Cont. on next page —

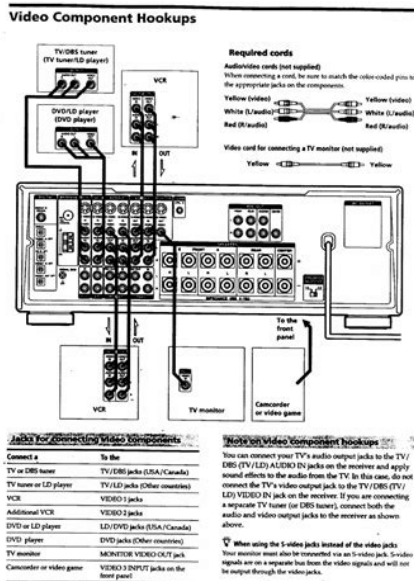
FM STEREO FM-AM RECORDER



SONY

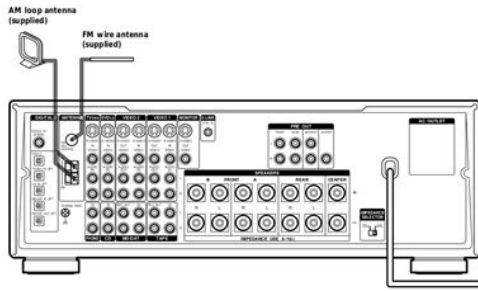
Sony news in your inbox. Download our apps. Support Support Self Support Contact Support Community Register a Product Sign In Favorites Sony Rewards Electronics Registration Electronics Community Favorites Favorites Search Sony Sony Sites Search Sony To get the full experience on Sony.com, please change your settings to allow JavaScript. What is the Audio Return Channel ARC feature. No sound from the audio system connected to the TV through ARC View All We recommend downloading and installing the latest version of one of the following browsers Our site is not optimized for your current browser. A newer version of your browser may be available Chrome Chrome Download the latest version IE Internet Explorer Download the latest version Firefox Firefox Download the latest version Apple Safari Download the latest version Proceed with current browser for now Proceed with current browser for now. FMAM Receiver. Operating InstructionsTo prevent fire or shock CAUTION On safety. The instructions in this manual are for model STRHooking Up the ComponentsHooking Up the ComponentsSpeaker cords not supplied. One for each front, rear, and center speakerParts and BasicBy adjusting the surround parameters and the WALL TYPE WALLBroadcasts Direct TuningBroadcasts Direct TuningInformation If you experience any of the following difficulties whileA I, J, K Speakers. All files are provided under strict licence and reproduction without prior permission or for financial gain is strictly prohibited. If you have additional documentation please consider donating a copy to our free archive. Everything it does, it does well soundwise. Sure, it lacks HDMI and other modern features but for what it is its a keeper. Heavy and excellent build quality too. Comments I would like to hook an all valve Pre up to the thing. Thankyou all for your collective efforts. It is appreciated. I opened the case and checked every fuse I could find, but they were all good.<http://www.extrusiongroup.com/fckupload/buy-manual-typewriters-online.xml>

- da50es sony manual, sony da50es service manual, da50es sony manual, da50es sony manual download, da50es sony manual pdf, da50es sony manuals, da50es sony manual free.



Any suggestions I dont have the owners manual any more and this is bugging me because I know it is something simple. I have compared it with top of the line Pioneer Elite, and mid level Dennon, and it performed better. So, I dont want to get rid of it yet. If not perhaps try changing the cable ie a new optical or go the coax route. I had a DA50ES many years ago and it was a great home theatre unit. I heve the same. Thanks Hans You are a great person. Did you figure out your issue, and if so, what was it. Now, no sound output at all, regardless of input, surround sound mode, etc. To purchase STRDA50ES spares or accessories, please contact the company via their website or visit an authorised retailer. To prevent a gas explosion, do not connect the ground wire to a gas pipe. The BASS BOOST indicator lights up when the function is turned on. You can enjoy multi channel surround when playing back software encoded with Dolby Digital or DTS. You can also add audio from a variety of audio sources when editing a video tape. Sony eSupport Model Support. This model is also known as STRDA50ES. You may find documents other than just manuals as we also make. Find great deals on eBay for Sony ES Receiver in Home Theater Receivers. Aplikacja mobilna Support by Sony. Nie przeoczysz juz zadnej aktualizacji. Reload to refresh your session. Reload to refresh your session. DOLBY, the doubleD symbol After tuning in any AM station, turn off the receiver. All preset stations will be erased when you change the tuning scale. To reset the scale to 10 kHz or 9 kHz, repeat the procedure. Check leakage as described below. Leakage current can be measured by any one of three methods. Follow the manufacturers' instructions to use these instruments. The Data Precision 245 digital multimeter is suitable for this job. The "limit" indication is 0.75 V, so analog meters must have an accurate lowvoltage scale. The Simpson 250 and Sanwa SH63Trd are examples of a passive VOM that is suitable. <http://goforthegreengolfpools.com/userfiles/buy-motorcycle-manuals-online.xml>

Antenna Hookups



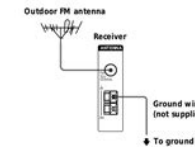
Terminals for connecting the antennas

Connect the	To the
AM loop antenna	AM terminals
FM wire antenna	FM 75Ω COAXIAL terminal

Notes on antenna hookups

- To prevent noise pickup, keep the AM loop antenna away from the receiver and other components.
- Be sure to fully extend the FM wire antenna.
- After connecting the FM wire antenna, keep it as horizontal as possible.

⚡ If you have poor FM reception
Use a 75-ohm coaxial cable (not supplied) to connect the receiver to an outdoor FM antenna as shown below.



Important
If you connect the receiver to an outdoor antenna, ground it against lightning. To prevent a gas explosion, do not connect the ground wire to a gas pipe.

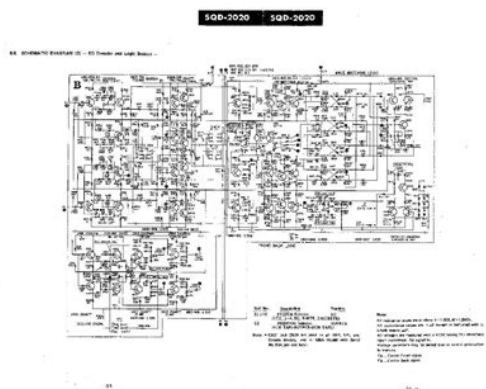
Note
Do not use the SIGNAL GND terminal for grounding the receiver.

5

Nearly all battery operated digital multimeters that have a 2V AC range are suitable. See Fig. A. To get the full experience on Sony.co.uk, please change your settings to allow JavaScript. Find information and receive instant notifications about your product. You are currently using an outdated browser. To optimise your browsing experience, please update your browser. You can update your preferences, withdraw your consent at any time, and see a detailed description of the types of cookies we and our partners use in our Cookie Policy. Specifications Power output 120 watts per channel into 8 stereo Surround output 120W front, 120W center, 120W rear Speaker load impedance 4 to 16 Digital inputs coaxial, optical Video Connections composite, SVHS Dimensions 430 x 160 x 410mm Weight 16 kg Accessories remote control By clicking on an item on our website, you agree to our use of cookies. Learn more about our cookies and your options. Sign up Entertainment made easy Access great movies, music and apps from your TV. Find out more PlayStation Entertainment Entertainment PlayStation Store PlayStation Video PlayStation Music PlayMemories Spark your imagination and discover new ways to enjoy your photos. Explore the apps Support Support Self Support Contact Support Community Register a Product Sign In Favourites My Registered Products Community Favourites Favourites Search Sony Sony Sites Search Sony To get the full experience on Sony.co.uk, please change your settings to allow JavaScript. What is the Audio Return Channel ARC feature. No sound from the audio system connected to the TV through ARC View All We recommend downloading and installing the latest version of one of the following browsers Our site is not optimized for your current browser.

A newer version of your browser may be available Chrome Chrome Download the latest version IE Internet Explorer Download the latest version Firefox Firefox Download the latest version Apple Safari Download the latest version Proceed with current browser for now Proceed with current browser for now. Sign up Entertainment made easy Access great movies, music and apps from your TV. Find out more PlayStation Entertainment Entertainment PlayStation Store PlayStation Video PlayStation Music PlayMemories Spark your imagination and discover new ways to enjoy your photos. Explore the apps Support Support Self Support Contact Support Community Register a Product Sign In Favourites My Registered Products Community Favourites Favourites Search Sony Sony Sites Search Sony To get the full experience on Sony.co.uk, please change your settings to allow JavaScript. What is the Audio Return Channel ARC feature. No sound from the audio system

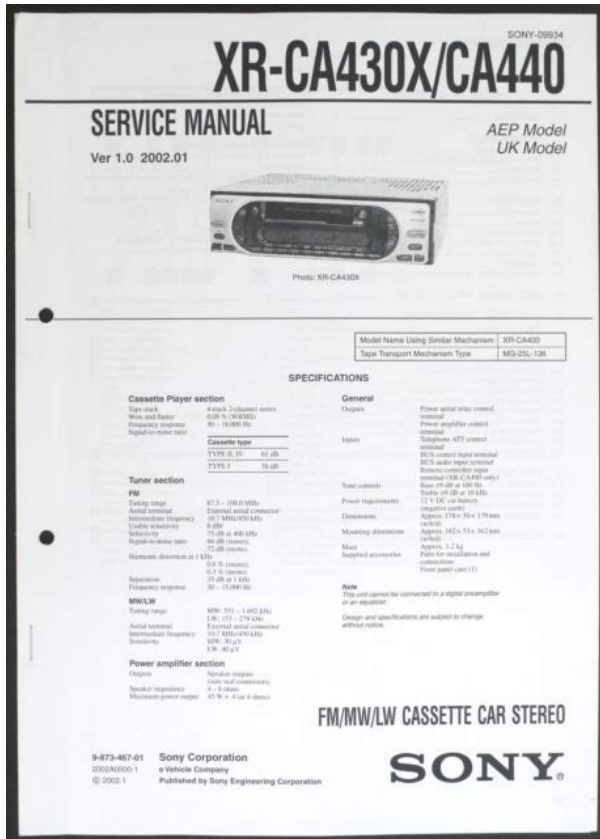
connected to the TV through ARC View All Download the app today! What is the Audio Return Channel ARC feature. What is DLNA technology. Troubleshoot Consumer Electronics Control Function CEC Issues View All We recommend downloading and installing the latest version of one of the following browsers Our site is not optimized for your current browser. A newer version of your browser may be available Chrome Chrome Download the latest version IE Internet Explorer Download the latest version Firefox Firefox Download the latest version Apple Safari Download the latest version Proceed with current browser for now Proceed with current browser for now. See compatible TVs Support Support Support My Sony Community Stay informed with a Sony account to get news, offers and promotions. Sign up now Hi My Sony Sign in Favourites My Products Register a new product My Account Details Newsletter Preferences Community Favourites Sign out Favourites Search Sony Sony Sites Search Sony To get the full experience on Sony.co.



<https://formations.fondationmironroyer.com/en/node/11592>

uk, please change your settings to allow JavaScript. Find information and receive instant notifications about your product We recommend downloading and installing the latest version of one of the following browsers Our site is not optimized for your current browser. A newer version of your browser may be available Chrome Chrome Download the latest version IE Internet Explorer Download the latest version Firefox Firefox Download the latest version Apple Safari Download the latest version Proceed with current browser for now Proceed with current browser for now. To get the full experience on Sony.co.uk, please change your settings to allow JavaScript. How can I compare Sony product specifications. Where can I buy genuine Sony products. How to hear the television sound through the speakers of a stereo receiver or home theater system. View All Find information and receive instant notifications about your product. Please do not offer the downloaded file for sell only use it for personal usage. Looking for other manual For this no need registration. May be help you to repair. You could suffer a fatal electrical shock. Instead, contact your nearest service center. Note! To open downloaded files you need acrobat reader or similar pdf reader program. In addition, Also some files are djvu so you need djvu viewer to open them. These free programs can be found on this page needed progs If you use opera you have to disable opera turbo function to download file. If you cannot download this file, try it with CHROME or FIREFOX browser. Translate this page Relevant AUDIO forum topics SONY CDXL400X a radio nem mindig szol Sziasztok! Ennek a radionak a CD resze jo, de a radio nem mindig szol. Olyan mintha nemitana, hiaba teszem monoba akkor is szaggatottan szol. Nem tudom hogy az okozhatjae az hogy nem tudom levenni a REG kijelzest, vagy a Tunerja rossz, lehet javitani, vagy ujat kellene bele szerezni. SONY CMTS20B mini hifi kijelzoje gyengen vilagit Sziasztok.

<https://otthonok.com/images/Dewalt-1150-Planer-Thicknesser-Manual.pdf>



A fenti kszulekkel nem boldogulok mar miden lehetsges hiba ki lett zarva. Minden feszultseg rendbenAmugy miden mukodik rajta rendesen! Szep napokat ! SONY STRAV270X Sziasztok! Van ez az erositom, az a gondom vele hogy nincs kijelzes rajta igy nem is mukodik. A rajzott letoltottem hozza, de afolia ami az elolapra megy az egyes labon testet ir, de en itt 12Vot mere, lehet hogy hibas a rajz, vagy megszakadt valami benne. A futese megy a kijelzonek, meg dereng neha benne valami. Mi lehet vele, mert en meg nem talaltam benne csak egy zarlatos zenert, de ezen felul semmi mast. Anyone who knows a reliable source.You can write in English language into the forum not only in Hungarian. Discover everything Scribd has to offer, including books and audiobooks from major publishers. Start Free Trial Cancel anytime. Report this Document Download Now Save Save Hfe Sony Strda30es Da50es v55es Service For Later 0 ratings 0% found this document useful 0 votes 60 views 16 pages Hfe Sony Strda30es Da50es v55es Service Uploaded by Feisal Ali Description Sony STRDA30ESDA50ES Service Manual Full description Save Save Hfe Sony Strda30es Da50es v55es Service For Later 0% 0% found this document useful, Mark this document as useful 0% 0% found this document not useful, Mark this document as not useful Embed Share Print Download Now Jump to Page You are on page 1 of 16 Search inside document Browse Books Site Directory Site Language English Change Language English Change Language. The engineers of Sony ES Series dont simply answer these questions. They help drive the technology that brings these questions into being. Fiercely independent critics evaluated the Sony STRDA9000ES receiver using the finest source material and ancillary equipment. In the context of todays home theater receivers, you have digital source material processed through a digital used to correct this can trigger other problems like Transient Intermodulation Distortion.Sony engineers sought a better way.

<https://www.ortegazagra.com/images/Dewalt-12-Planer-Manual.pdf>



Input Digital Digital Signal. Analog Signal. The Sony SMaster Pro amplifier dramatically simplifies receiver design. And in high fidelity, simpler is better. Inside the SMaster Pro process. While Sonys SMaster Pro amplifier is simple in principle Sony used technologies developed for our legendary SCD1 Super Audio CD player. Sony the first stage of the SMaster Pro process is Sonys Clean Data Cycle. These shifts have a subtle effect, creating warmer and more accessible bass. Sonys DC Phase Linearizer gives you several control positions, including Off, enabling you to adjust lowfrequency all channels driven, 8 ohms, 20 to 20,000 Hz, at 0.15% THD. Sony proudly presents a masterpiece of integrated circuitry, Sonys CXD9773Q Large Scale Integrated circuit LSI. ES Receivers v1.0. Because onebit digital signals depend on the accuracy of the time domain, Sony suppresses jitter with Clean Data Cycle. Our 24bit processor achieved a theoretical accuracy of 40 chassis vibration has a great impact on the final sound quality.. ES Receivers v1.0. The result is another measure of signal integrity. A detail of the power amplifier circuit board of the STR DA7100ES. The twelve black chips are the MOS FET output transistors for three channels 4 MOS FETs per channel. The transistor is surface mounted to a fourlayer circuit board bottom. On the left, the STRDA7100ES power amplifier without the heat sink. The four large black ICs in the middle are Sonys SMaster Pro 32bit LSIs, the CXD9773Q. Sony uses a new refinement of our molecular bonding technique to attach the transistor leads. In the STRDA9000ES, the amps. The bare transistor for the STRDA9000ES MOS FET, showing the double wire molecular bonding. Illustration of the bare transistor of the STRDA7100ES MOS FET, showing connections for Source S, Gate G and Drain D. Sheet metal video section. 4 Input signal processing. Note how small the power amplifier is. ES Receivers v1.0. But the best available connections are in the digital domain.

And Sony has been quick to take advantage. If you wanted digital audio as well, that would mean a tenth cable. HDMI conveys both video and audio with full resolution and digital precision all on a single cable! The options for audio are equally rich. But the dynamic changes when you insert the STRDA7100ES into the reproduction chain. In this case, the source component receiver. Television with HDMI input. DVD player with HDMI output. Receiver, what is your input capability The question which of these requirements will the receiver communicate back to the source component. Two settings on the STRDA7100ES receiver let you choose. DVD player with HDMI output. Digital Audio 2 channels 48 kHz 16 bits. Audio capability of TV. Television with HDMI input. Digital Video 720p Digital Audio 6.1 channels 48 kHz 24 bits. However this time, the 2channel audio is available for playback on both the STRDA7100ES receiver and the television. HDMI switching and upconversion. The STRDA7100ES can switch between two HDMI sources and send the selected signal to using two HDMI inputs and one output. The system incorporates three principal elements. 1. Variable speed transmission from the player. 2. Buffer memory in the receiver. 3. Command signals from the receiver to the player, controlling transmission speed. CB Programming. The SHARC chip operates at a 200 MHz clock speed, 67% faster than the decoding DSP used in Sonys previous best receiver, the STRDA9000ES. But the chip is even faster than its clock speed suggests. The resulting system has 30% higher coding efficiency than conventional C compiling. OP Processing with 0.5 dB steps. Sonys Optimum Preamplification OP negative feedback according to the volume control setting. Because these devices filter out 60 Hz line frequency hum, they play a crucial role in protecting sound quality. Thats why Sonys STRDA3100ES and DA2100ES incorporate oversized filter capacitors carefully chosen for sound.

<http://cedresarquitectura.com/wp-content/plugins/formcraft/file-upload/server/content/files/1628a55bfe4bfb---canon-ir2020-manual.pdf>

Sonys Spider Grounding Plate uses ten points, plus substantially thicker connections to achieve a standard reference ground. ES Receivers v1.0. That's why Sony configured the STRDA3100ES and DA2100ES power amplifiers with a master inline design. The inside of the STRDA3100 ES, showing the two sets of massive aluminum heat sinks. At this heat sink fins. Lowfiller speaker terminals. The engineers of Sonys ES Series try to look at everything that influences the sound Receivers v1.0. ES Receivers v1.0. Full complement of digital and analog surround decoding all models. ES Series receivers are destined to be used in custom Conclusion. Beginning with the PCM701ES digital processor in 1982, the engineers of Sonys ES Series have been extending the capabilities of digital audio. ES Receivers v1.0 All products with an IEEE 1394 remote may not be compatible with some brands or models. ES Receivers v1.0. Page 38. Please choose a different delivery location. Our payment security system encrypts your information during transmission. We don't share your credit card details with thirdparty sellers, and we don't sell your information to others. Please try again. Please try again. Please try again. This is NOT an original as originals are out of print, but we use the best scans available. Plastic Comb Bound with clear plastic on front and back covers to help protect manual. All manuals are in public domain or printed with permission. Then you can start reading Kindle books on your smartphone, tablet, or computer no Kindle device required. To calculate the overall star rating and percentage breakdown by star, we don't use a simple average. Instead, our system considers things like how recent a review is and if the reviewer bought the item on Amazon. It also analyzes reviews to verify trustworthiness. Manual and User Guide for many equipments like mobile phones, photo cameras, motherboard, monitors, software, tv, dvd, and others.

Other cookies, which increase the comfort when using this website, are used for direct advertising or to facilitate interaction with other websites and social networks, are only set with your consent. You need help with our Webshop. You want to order by phone. Other cookies, which increase the usability of this website, serve for direct advertising or simplify interaction with other websites and social networks, will only be used with your consent. The service manual has complete circuit diagrams and component board traces, but nothing about the firmware or error messages. This let the relays click on, but the display would still flash PROTECTOR FAN. After finding the STRDA30ES mention, I probed the bridge D955. Weirdly, the AC side of the bridge had 0V. The AC line from the transformer had around 9.7V. Narrowing in on the section inbetween I found that fuse F953 on the main board had blown. Shorting over the fuse made it work. Ill hit radio shack this weekend for a new fuse. So, dear future reader who found this through a net search, check fuse F953. Its on the main board the big one along the bottom, in the front corner that doesnt have the fan connector. Glass cylindrical fuse. And to my puzzled friends who watch my livejournal hey, this was an easy way to publish something for the search engines to find. And I guess the moral of the story is, check the obvious things like fuses first. Subscribe Post a new comment Error Anonymous comments are disabled in this journal We will log you in after post We will log you in after post We will log you in after post We will log you in after post We will log you in after post Anonymously switch LiveJournal Facebook Twitter OpenId Google MailRu VKontakte Anonymously default userpic Your reply will be screened Your IP address will be recorded Post a new comment Preview comment. If you continue without changing your cookie settings, well assume that you are happy to receive all cookies on our website.

However, if you would like to, you can change your settings at any time using the Change cookie settings link in the Special menu. Anyone who has bought before can download the updated package on request for free. All news Please enable JavaScript in your web browser. Please use the box above to search for any other information. Toroidal Low Pass Filter. The Low Pass Filter is more expensive.

Instead of Sony's Low Pass Filters are more than worth the price. Shown here wrapped in black, the toroidal coils of choosing less expensive cylindrical coils, the ES engineers chose. ES Receivers v1.0. Page 11 The filter must have used relatively inexpensive integrated circuit opamps at the output. In this reason, traditional amplifiers are inherently less sensitive to a higher level of the STR DA7100ES will hear the benefits in DC. My Name is Manoj From India Capital Delhi I want to know what is price in Indian currency. Posted by aryamanojsb 8 years ago Sony STRK1500 Receiver Component For HTDDW1500 Answers Is there a sensor that can be replaced or cleaned But i can provide you the way to connect. Super high amount of views. 0 sold, 1000 available. More Super high amount of views. 0 sold, 1000 available. You are the light of the world. After tuning in any AM station, turn off the Check leakage as The Data Precision 245 Nearly all battery operated Service manuals usually include printed circuit boards, block diagrams, exploded views, assembly instructions and parts catalog. Its invaluable source of information for everyone looking to repair their unit. You should look for Owners Manual. After placing order we will send You download instructions on Your email address.

<https://congviendis.vn/vi/boss-506ua-manual>